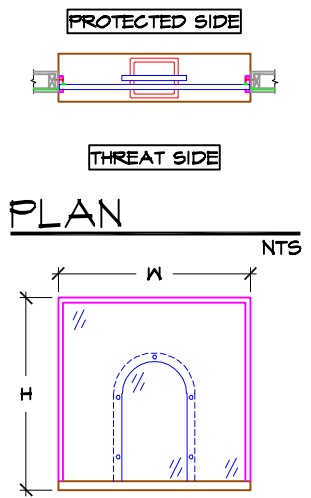


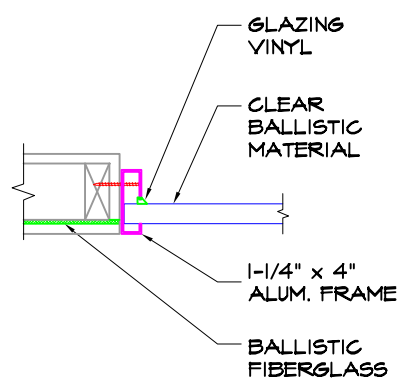
ISOMETRIC

NOTE: WINDFLAP AVAILABLE FOR EXTERIOR USE NTS



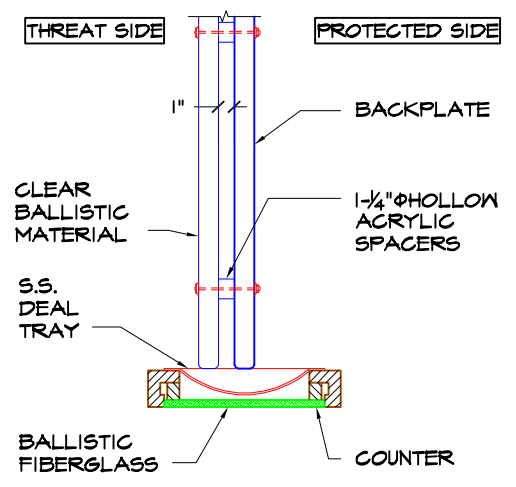
ELEVATION

REQUIRED FINISH OPENING = NTS
 WIDTH + 1/4"
 HEIGHT + 1/8"



DETAIL @ JAMB

NOTE: HEAD SIMILAR NTS



SECTION @ DEAL TRAY

NTS

ESTIMATE ONLY	<input type="checkbox"/>	FINAL DESIGN	<input type="checkbox"/>
APPROVAL:			
SIGNATURE _____			
NAME _____			
DATE _____			



Bullet Guard
 Design, Manufacture, Fabrication & Installation of Ballistic Product

**TRANSACTION WINDOW
 ARCHGED VOICE PORT
 w/ RECESSED DEAL TRAY**

DRAWN BY:
JOB #
DATE:
PAGE: _____ of _____